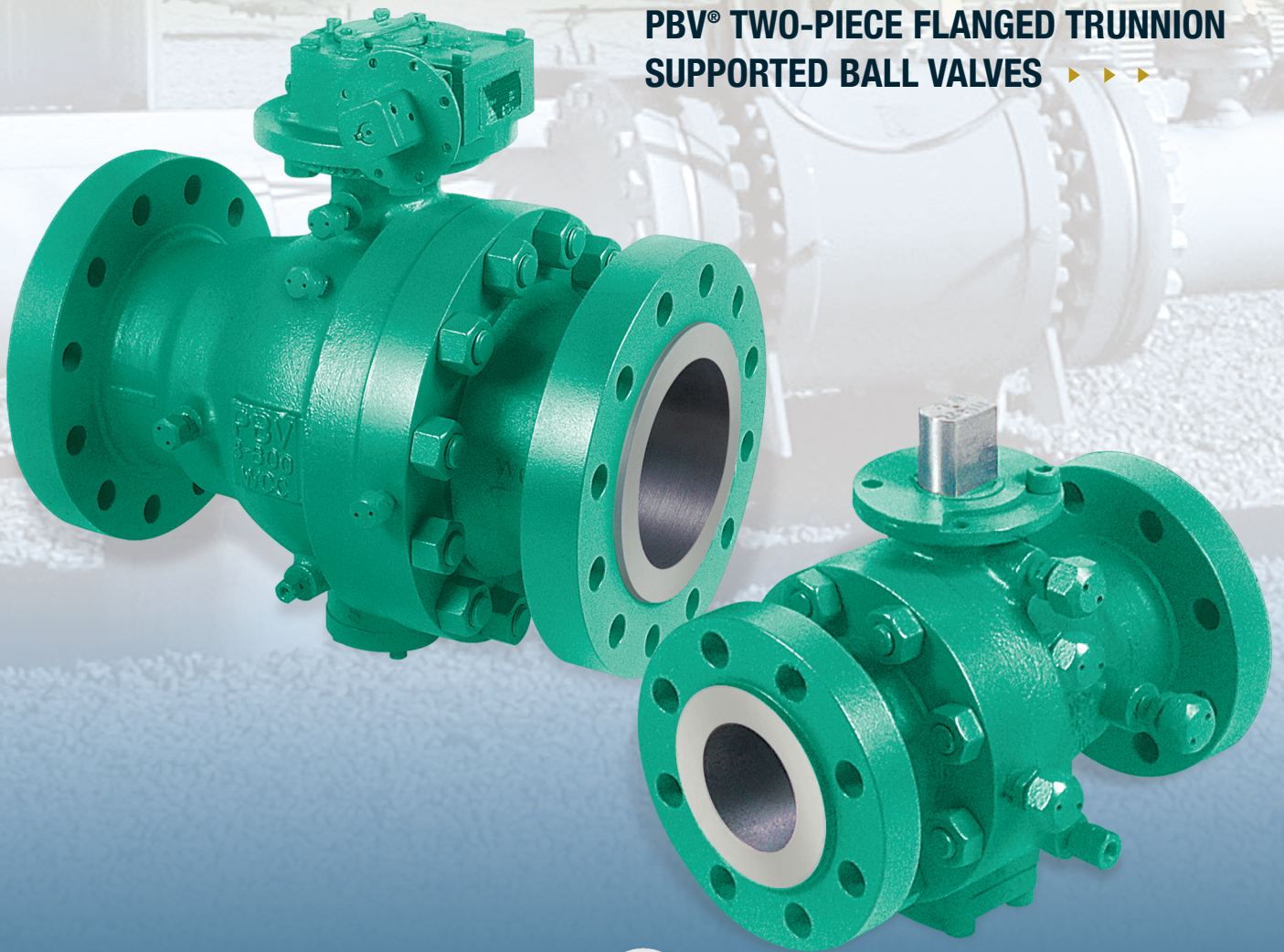


**PBV® TWO-PIECE FLANGED TRUNNION
SUPPORTED BALL VALVES** ▶▶▶

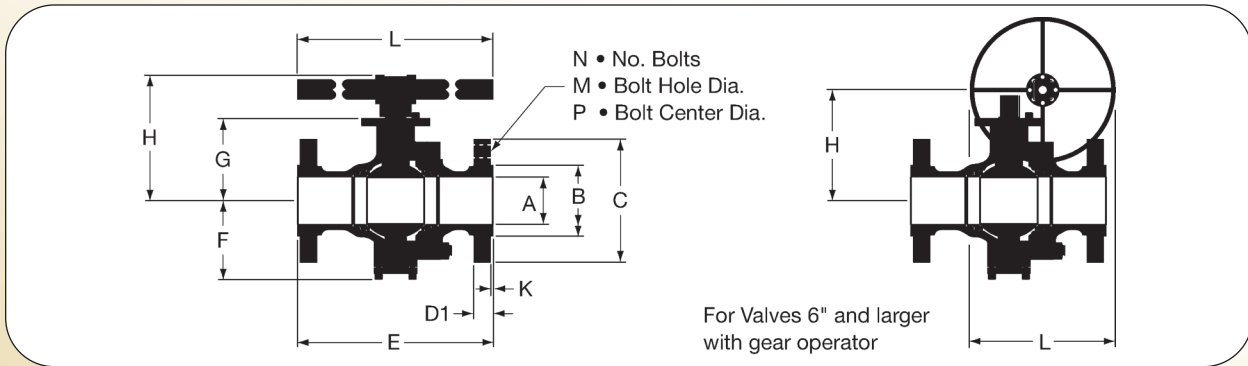
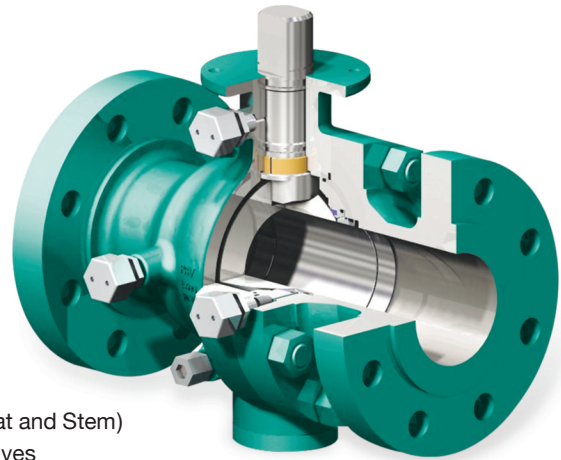


PBV® SERIES 6800 TWO-PIECE FLANGED TRUNNION SUPPORTED BALL VALVE ▶ ▶ ▶

The Professional Choice for Dependable, Long Lasting Service.

Standard Features

- WCB/WCC Bodies and Adapters
- O-Ring Stem Seal Design backed by Firesafe Seal
- Valves Built to API 6D
- Valves meet ASME B16.34, B16.10, B16.5 and BS 5351
- ISO 5211 Compatible Mounting Pads
- Firesafe to API 607 or 6FA
- All Materials Meet NACE MR0175
- Emergency Seat and Stem Sealant Injection
- Carbon Steel with ENP Standard on Internal Trim (Ball, Seat and Stem)
- Locking Devices Standard for Lever or Gear Operated Valves
- Double Block & Bleed (DBB) in Both Opened and Closed Position
- Equipped with Drain Valve for DBB and Seat Integrity Verification



Dimensional Data (in.), Full Port

SIZE (IN.)	CLASS	A	B	C	D1	E	F	G	H	K	N	M	P	L
2	150	2.06	3.62	6.00	0.62	7.00	4.30	3.94	6.53	0.06	4	0.75	4.75	17.00
	300	2.06	3.62	6.50	0.88	8.50	4.30	3.94	6.53	0.06	8	0.75	5.00	17.00
	600	2.06	3.62	6.50	1.25	11.50	4.30	4.13	6.41	0.25	8	0.75	5.00	20.00
3	150	3.13	5.00	7.50	0.75	8.00	5.80	4.88	7.17	0.06	4	0.75	6.00	20.00
	300	3.13	5.00	8.25	1.12	11.12	5.80	4.88	7.17	0.06	8	0.88	6.62	20.00
	600	3.13	5.00	8.25	1.50	14.00	5.80	5.38	9.28	0.25	8	0.88	6.62	28.00
4	150	4.06	6.19	9.00	0.94	9.00	6.86	6.10	10.01	0.06	8	0.75	7.50	28.00
	300	4.06	6.19	10.00	1.25	12.00	6.86	7.06	10.97	0.06	8	0.88	7.88	28.00
	600	4.06	6.19	10.75	1.75	17.00	6.86	7.06	10.97	0.25	8	1.00	8.50	28.00
6	150	6.00	8.50	11.00	1.00	15.50	8.27	8.75	10.91	0.06	8	0.88	9.50	20.00
	300	6.00	8.50	12.50	1.44	15.88	8.27	8.75	10.91	0.06	12	0.88	10.62	20.00
	600	6.00	8.50	14.00	2.13	22.00	8.27	8.75	10.91	0.25	12	1.13	11.50	20.00
8	150	8.00	10.62	13.50	1.12	18.00	10.38	11.92	14.05	0.06	8	0.88	11.75	24.00
	300	8.00	10.62	15.00	1.63	19.75	10.38	11.92	14.05	0.06	12	1.00	13.00	24.00
	600	8.00	10.62	16.50	2.25	26.00	10.38	11.92	14.05	0.25	12	1.25	13.75	24.00
10	150	10.00	12.75	16.00	1.18	21.00	12.05	13.76	15.89	0.06	12	1.00	14.25	24.00
	300	10.00	12.75	17.50	1.88	22.38	12.05	13.76	15.89	0.06	16	1.13	15.25	24.00
	600	10.00	12.75	20.00	2.75	31.00	12.05	13.76	15.89	0.25	16	1.38	17.00	24.00
12	150	12.00	15.00	19.00	1.25	24.00	14.17	16.34	22.91	0.06	12	1.00	17.00	30.00
	300	12.00	15.00	20.50	2.00	25.50	14.17	16.34	22.91	0.06	16	1.25	17.75	30.00
	600	12.00	15.00	22.00	2.88	33.00	14.17	16.34	22.91	0.25	20	1.38	19.25	30.00

Reduced Port valves available upon request.

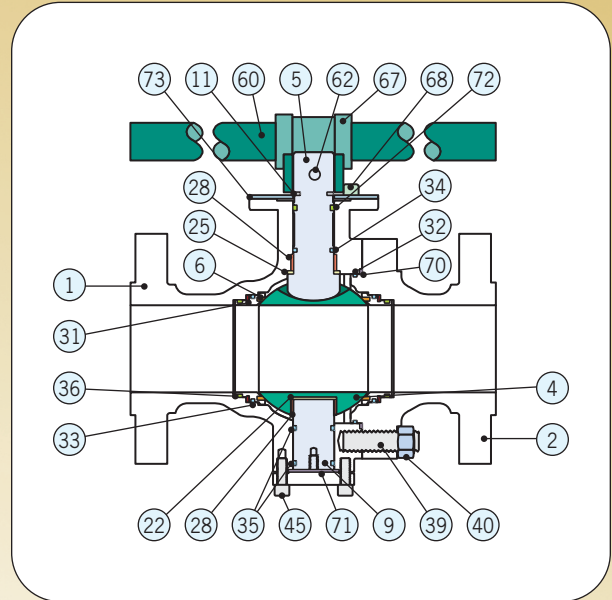


PBV® SERIES 6800 ENGINEERING DATA ▶ ▶ ▶

Parts & Materials • Typical 4" Steel Valve

NO.	QTY.	DESCRIPTION	MATERIAL / CARBON STEEL
1	1	Body	A216-WCB/WCC
2	1	Adapter Cap	A216-WCB/WCC
4	1	Ball	A105/A350 LF2 ENP
5**	1	Stem	A105/A350 LF2 ENP
6*	2	Seat Assembly	A105/A350 LF2 G/PTFE or Devlon®
9	1	Trunnion	A105/A350 LF2 ENP
10	1	Trunnion Plate	A352-LCC
11**	1	Snap Ring	Stainless Steel
22**	1	Bearing	TFMC
25*	1	Stem Thrust Bearing	TFMC
28*	2	Bearing Washer	Steel/PTFE
31**	2	Spring	Inconel® X-750
32*	1	O-Ring, Body	HNBR
33*	2	O-Ring, Seat	HNBR
34*	2	O-Ring, Stem	HNBR
35*	2	O-Ring, Trunnion	HNBR
36*	—	Packing	Graphite
39	See Dim.	Stud	A193-B7M
40	See Dim.	Nut	A194-2HM
45	4	Cap Screw, Trunnion	A574 Modified
60	1	Handle	Carbon Steel
62	1	Handle Screw	F912
67	1	Handle Adapter	Ductile Iron
68	1	Cap Screw, Stop	A574 Modified
70*	1	Gasket, Body	Graphite
71*	1	Gasket, Trunnion	Graphite
72*	—	Packing, Stem	Graphite
73**	1	Stop Plate	Carbon Steel

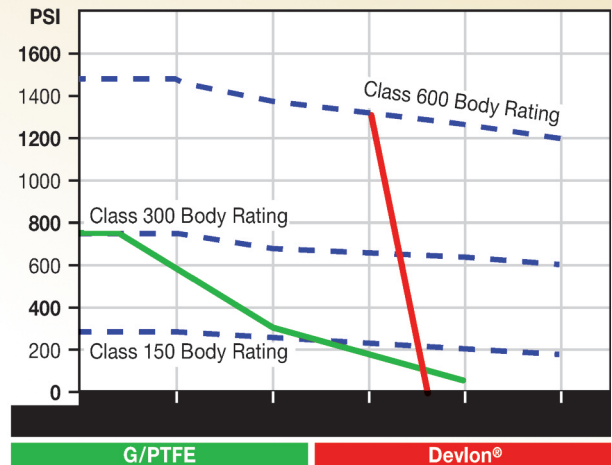
Recommended spare parts: *after 2 yrs. service, **after 5 yrs. service.



Product Range • Full Port, Flanged Ends

SHELL MATERIAL	CL	DESIGN FEATURE	END CONNECT.	SIZE (IN.)							
				2	3	4	6	8	10	12	
WCB/ WCC	150	End Entry	RF	X	X	X	X	X	X	X	X
	300	End Entry	RF	X	X	X	X	X	X	X	X
	600	End Entry	RF	X	X	X	X	X	X	X	X

Pressure Temperature



SPECIFYING PBV® SERIES 6800 VALVE FIGURE NUMBERS

Example: 6" C-6830-71-2200-DH-NG This number represents a 6" ANSI Class 300, Full Port, Two-Piece Trunnion Ball Valve, Fire Tested with Emergency Grease Seals, with Raised Face, WCB Body Material, Carbon Steel with ENP Trim, Devlon® Seats, HNBR Seals, for NACE MR0175 Service and Gear Operated.

C - 6 8 30 - 7 1 - 22 00 - D H - N G -

MAT. CODE	PORT CONFIG.	VALVE TYPE	PRESS. CLASS	FIRE TESTED	END CONN.	BODY MAT.	TRIM MAT.	SEAT MAT.	SEAL MAT.	NACE OPTION	OPER.	MODIFIER CODE
C	5	8	10	7	1	22	00	D	H	N	A	
Carbon Steel	Reduced 6 Full	Two-Piece Trunn. Type	150 CL 30 300 CL 60 600 CL	Fire Tested w/Emerg. Grease Seals	RF 3 RTJ	WCB/ WCC 28 LCC	Same as Body 36 316SS	Devlon® or Equiv. G Glass Filled Teflon®	HNBR	NACE	Act. B Bare Stem G Gear L Lever	

Other body, trim, seat and seal materials are available upon request. Lever mounting pads are designed to dimensions in ISO 5211.

For more information about our products and full Terms & Conditions please visit www.f-e-t.com.



12735 Dairy Ashford Road Stafford, Texas 77477
 281.340.5400 [m] 800.256.6193 [tf] 281.340.5499 [f]
www.f-e-t.com